

# 4\*5MP ColorHunter MultiView Wise-ISP VF IR Dome Network Camera

IPC8645EA-ADZKM-I1



## Features

- One IP with four channels
- Support multiple intelligent functions, different function of each channel can be enabled at the same time to satisfy various analysis requirement
- Pan, tilt, rotation angle of each lens can be adjusted independently, suitable for more complicated scenes
- 4 channel video output, 2880\*1620@30fps in the main stream of each channel, provide high definition image
- Ultra 265, H.265, H.264, MJPEG
- Smart intrusion prevention, support false alarm filtering, realize accurate detection based on specific target
- People Counting, support people flow counting and crowd density monitoring, suitable for different statistical scenarios
- LightHunter technology ensures ultra-high image quality in low illumination environment
- Up to 130 dB Optical WDR (Wide Dynamic Range)
- IP67 ingress & IK10 protection

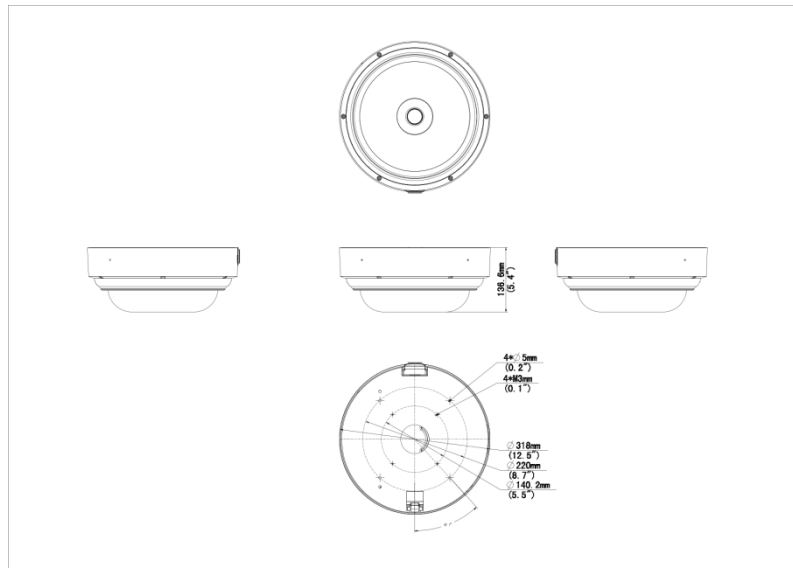
## Specifications

Camera	Description
Sensor	1/2.7" CMOS
Min. Illumination	Colour: 0.002 lux (F1.2, AGC ON) 0 lux with IR on
Day/Night	IR-cut filter with auto switch (ICR)
WDR	130 dB
Adjustment Angle	Pan: 0° ~ 360°, Tilt: 0° ~ 65°, Rotate: 0° ~ 355°
S/N	>56 dB
Lens	Description
Focal Length	2.7 to 13.5 mm
Optical Zoom	5X
Iris	F1.2 * 4
Field of View (H)	(W)110.3°~(T)31°
Field of View (V)	(W)57.1°~(T)17.5°
Field of View (D)	(W)130.2°-(T)67.4°
Iris Type	Fixed
DORI	Description
DORI Distance (Detect)	70.9m~247.5m(232.5ft~812.0ft)
DORI Distance (Observe)	28.4m~99.0m(93.0ft~324.8ft)
DORI Distance (Recognize)	14.2m~49.5m(46.5ft~162.4ft)
DORI Distance (Identify)	7.1m~24.8m(23.3ft~81.2ft)
Illuminator	Description
Illumination Distance (IR)	50 m (164.0 ft)
IR On/Off Control	Auto/Manual
Intelligent	Description
Exception Detection	Scene Change, Defocus Detection, Object Removed, Object Left Behind
Smart Intrusion Prevention	Cross line detection, Intrusion detection, Enter area detection, Leave area detection (support false alarm filtering and the classification of human, non-motor vehicle and vehicle)
People Counting	Support People Flow Counting and Crowd Density Monitoring
Events	Description

Motion Detection	Support
Tampering Detection	Support
Audio Detection	Support
UMD (Ultra Motion Detection)	Support
<b>Image</b>	<b>Description</b>
Flip	Normal, Flip Vertical, Flip Horizontal, 180°, 90° Clockwise, 90° Anti-clockwise
Defog	Digital Defog
<b>Network</b>	<b>Description</b>
Protocols	IPv4, IPv6, IGMP, ICMP, ARP, TCP, UDP, DHCP, PPPoE, RTP, RTSP, RTCP, RTMP, DNS, DDNS, NTP, FTP, UPnP, HTTP, HTTPS, SMTP, 802.1x, SNMP, QoS, SSL/TLS, SSH
Compatible Integration	ONVIF (Profile S, Profile G, Profile T, Profile M), API, SDK
User/Host	Up to 32 users. 3 user levels: administrator, common user and operator
Security	Password protection, Strong password, HTTPS encryption, Export operation logs, Basic and Digest Authentication for RTSP, Digest Authentication for HTTP, TLS 1.2, WSSE and Digest Authentication for ONVIF
Web Browser	Plug-in required live view: IE 10 and above, Chrome 45 and above, Firefox 52 and above, Edge 79 and above, Plug-in free live view: Chrome 57.0 and above, Firefox 58.0 and above, Edge 16 and above
<b>Storage</b>	<b>Description</b>
Edge Storage	Micro SD, up to 512 GB
Network Storage	ANR, NAS (NFS)
<b>Video</b>	<b>Description</b>
Video Compression	Ultra 265, H.265, H.264, MJPEG
H.264 Code Profile	Baseline profile, Main profile, High profile
Video Bit Rate	128 Kbps ~ 16 Mbps * 4Channel
U-code	Support
ROI	Support
Video Stream	Triple streams
OSD	Up to 10 OSDs * 4 Channel
Privacy Mask	Up to 8 * 4Channel
<b>Audio</b>	<b>Description</b>
Audio Compression	G.711U, G.711A

Two-way Audio	Support
Sampling Rate	8 kHz
<b>Interface</b>	<b>Description</b>
Audio I/O	1 Input: impedance 1 k $\Omega$ , amplitude 2.5 V [p-p], 1 Output: impedance 600 $\Omega$ , amplitude 2.5 V [p-p]
Alarm I/O	3/2
Built-in Mic	Support
Network	10M/100M/1000M Base-TX Ethernet
<b>Other</b>	<b>Description</b>
Corridor Mode	Support
<b>Certification</b>	<b>Description</b>
Protection	IP67 (IEC 60529), IK10 (IEC 62262)
<b>General</b>	<b>Description</b>
Power	DC 24V $\pm$ 25%, AC 24V $\pm$ 25%, PoE (IEEE802.3bt)
Built-in DC12V Output	Support
Power Consumption	Max 31W
Power Interface	Wires with cold-pressed terminal
Dimensions	$\Phi$ 318 x 136.6 mm ( $\Phi$ 12.52" x 5.38")( $\Phi$ x H)
Weight	4.77Kg (10.52lb)
Working Environment	-30 °C ~ 60 °C (-22 °F ~ 140 °F), Humidity: 5%~95% RH
Storage Environment	-40 °C ~ 70 °C (-40 °F ~ 158 °F), Humidity: 5%~95% RH
Surge Protection	6 KV

## Dimensions



**Zhejiang Uniview Technologies Co., Ltd.**

No. 369, Xietong Road, Xixing Sub-district, Binjiang District, Hangzhou City, 310051, Zhejiang Province, China

Email: [overseasbusiness@uniview.com](mailto:overseasbusiness@uniview.com); [globalsupport@uniview.com](mailto:globalsupport@uniview.com)

<http://www.uniview.com>

©2024 Zhejiang Uniview Technologies Co., Ltd. All rights reserved.

\*Product specifications and availability are subject to change without notice.

\*Despite our best efforts, technical or typographical errors may exist in this document. Uniview cannot be held responsible for any such errors and reserves the right to change the contents of this document without prior notice.